

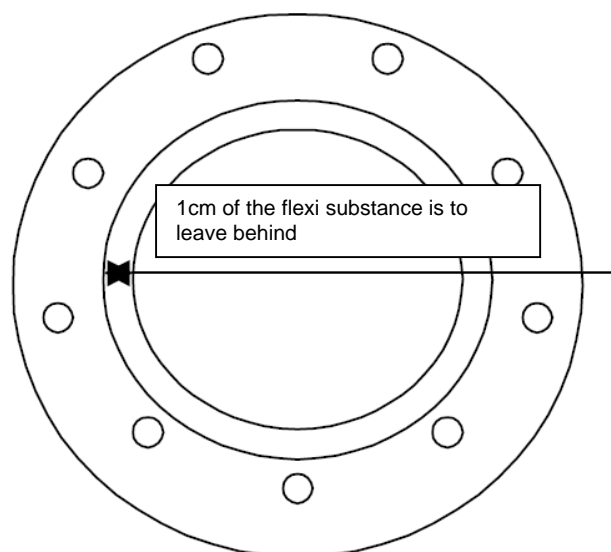
Assembly of the hand filling nozzle:



Assembling instruction for additional installation of the had filling nozzle (incl. adapter) by empty Flexi Tank.

1.) Mark the position of the mounting holes of the connecting piece by the presented steel flange in appropriate place

2.) Burn the incircle and the screw holes through with a hand soldering iron



3.) Bring now the slit steel flange inward and present the counter flange from outside with the Flexi filling nozzle



4.) Connect both flanges with bolt and the screws.



5.) Pull the Flexi filling nozzle outside and connect him with the belt.



6.) End position of the fix mounted Flexi filling nozzle.

