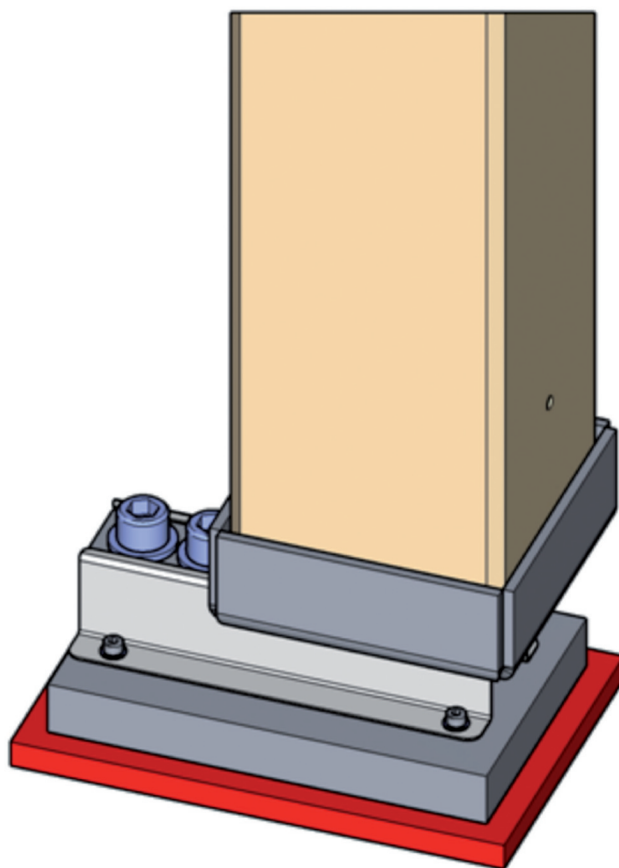


Installation manual



Weighing cells FlexILO storage tank

ENGLISH



Europe's specialist in pellet heating

Title: Installation manual Weighing Cells FleXILO storage tank
Article number: S158 EN 2.1

Version: 2.1
Version valid from: 01/2012
Approved: Humberger Stephan

Author:

ÖkoFEN Forschungs- und EntwicklungsgesmbH

Technical editorial department

Gewerbepark 1
A-4133 Niederkappel
AUSTRIA

Tel.: 0043(0)7286/7450
Fax: 0043(0)7286/7450/10

oekofen@pelletsheizung.at
www.oekofen.com

© by ÖkoFEN Forschungs- und EntwicklungsgesmbH
Subject to modifications

1 Dear Customer	4
2 Types of safety warning sign	5
3 Product Description	6
3.1 Function conditions.....	6
4 Installation of the Weighing System	7
4.1 Installation of the weighing cells.....	7
4.2 Installation of the dummy weighing cells.....	8
5 Connection of the Weighing System	9
5.1 Electrical connection of the weighing system	9
5.2 Settings on the CMP boiler controller for the weighing system	12

1 Dear Customer

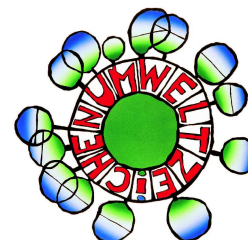
ÖkoFEN is Europe's leading specialist in pellet heating.

Proficiency, innovation and quality combined. This is the tradition on which ÖkoFEN shapes the future. We are very pleased that you too have decided to purchase a product from ÖkoFEN.

- This instruction manual is intended to help you operate the product safely, properly and economically.
- Please read this instruction manual right through and take note of the safety warnings.
- Keep all documentation supplied with this unit in a safe place for future reference.
Please pass on the documentation to the new user if you decide to part with the unit at a later date.
- Please contact your authorised dealer if you have any questions.



ÖkoFEN attaches great importance to the development of new products. Our R&D Department repeatedly challenges the effectiveness of tried-and-tested systems and works continuously on improvements. In this way, we secure our technological advantage. We have already received many national and international awards for our products. All our products comply with European standards in respect of quality, efficiency and emissions.



2 Types of safety warning sign

The warning signs use the following symbols and text.

Types of safety warning sign

1. Risk of injury
2. Consequences of risk
3. Avoiding risk



1. Risk of injury:

Danger - indicates a situation that could lead to death or life-threatening injury.



Warning - indicates a situation that could lead life-threatening or serious injury.



Caution - indicates a situation that could lead to injury.



Note - indicates a situation that could lead to property damage.



2. Consequences of risk

Effects and consequences resulting from incorrect operation.

3. Avoiding risk

Observing safety instructions ensures that the heating system is operated safely

3 Product Description

Weighing cells measure the weight of fuel in the FleXILO storage tank to within +/- 100 kg and up to a maximum weight of 7 tonnes.

The threshold value, the minimum weight for a warning message, can be varied. The warning message appears on the operating device and disappears when the filling weight is above the set minimum weight.

3.1 Function conditions

The pellets must be stored in a FleXILO storage tank with or without vibration plate. The minimum height of the storage increases by 10 cm when weighing cells are installed. Weighing cells can be used from boiler controller CMP 1.4 with the software version V2.36 and boiler controller CMP 6.0 with the software version V6.36.

4 Installation of the Weighing System

Description of the installation steps for the weighing system.

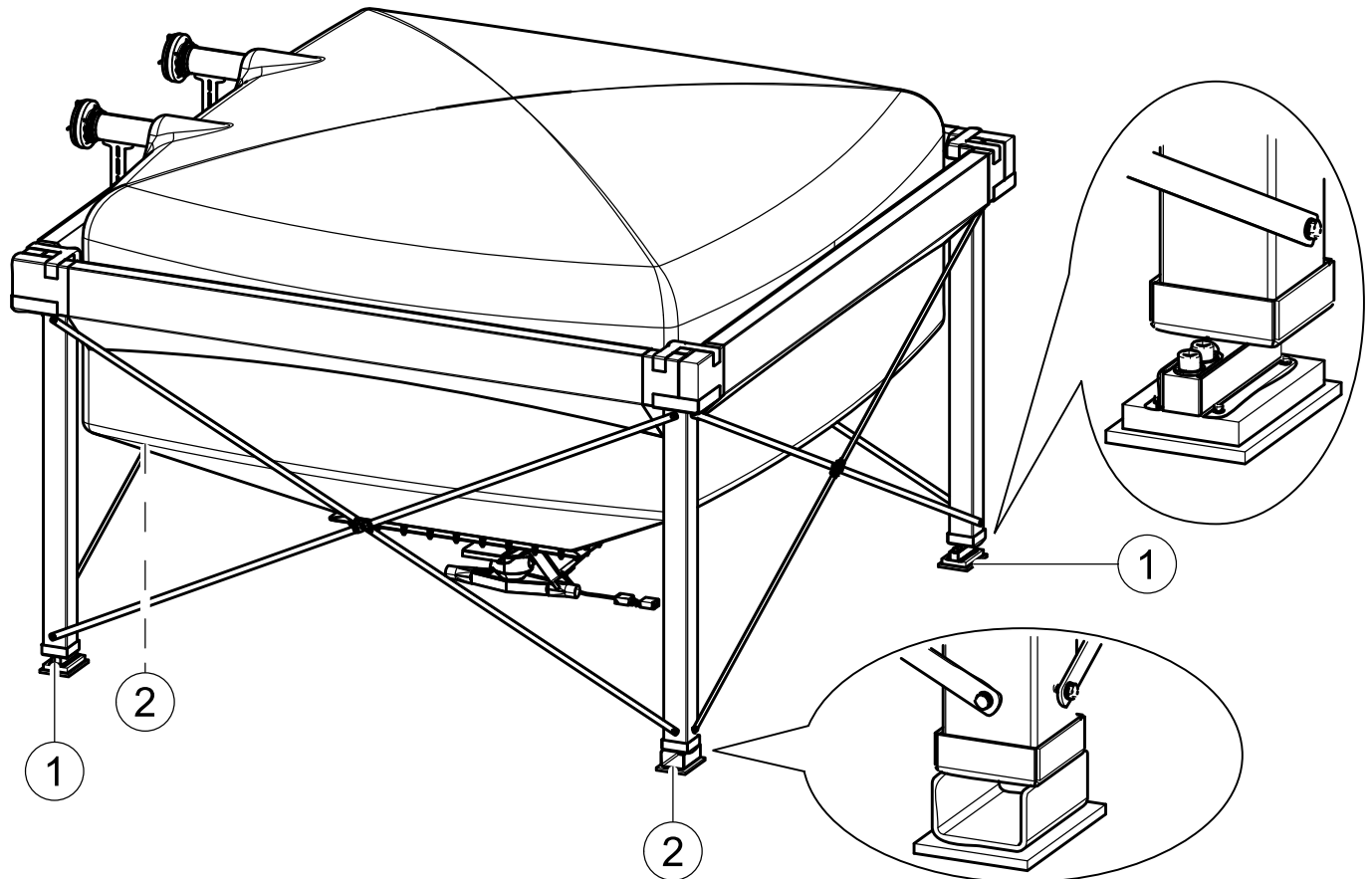
The description of the installation of the storage tank can be found in the **Storage Tank Installation Manual**.

Note:

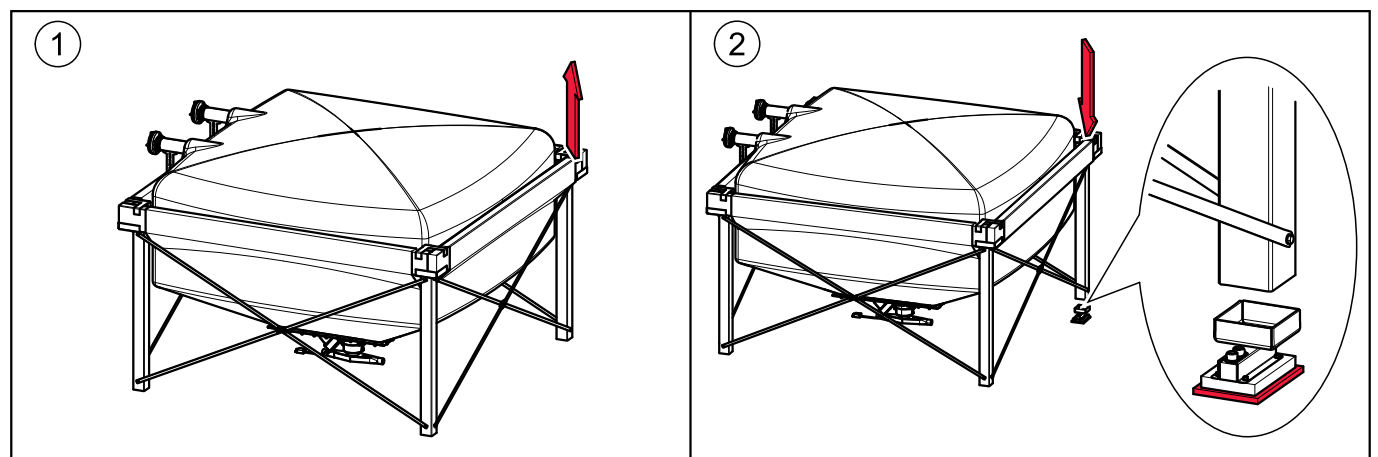
Only fit the weigh cells and dummy weighing cells after the Flexilo is fully assembled and positioned.

Do not attempt to fit this system to a Flexilo containing fuel.

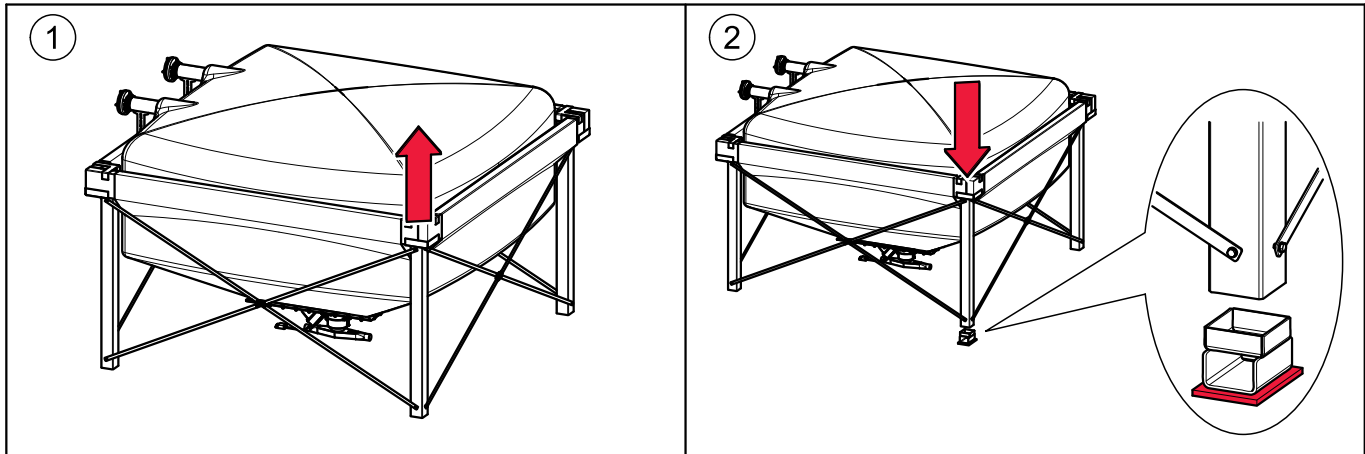
In order to ensure correct weight measurement, the weighing cells (1) and the dummy weighing cells (2) must be installed diagonally opposite one another.



4.1 Installation of the weighing cells



4.2 Installation of the dummy weighing cells



5 Connection of the Weighing System



DANGER

Electric shock hazard!

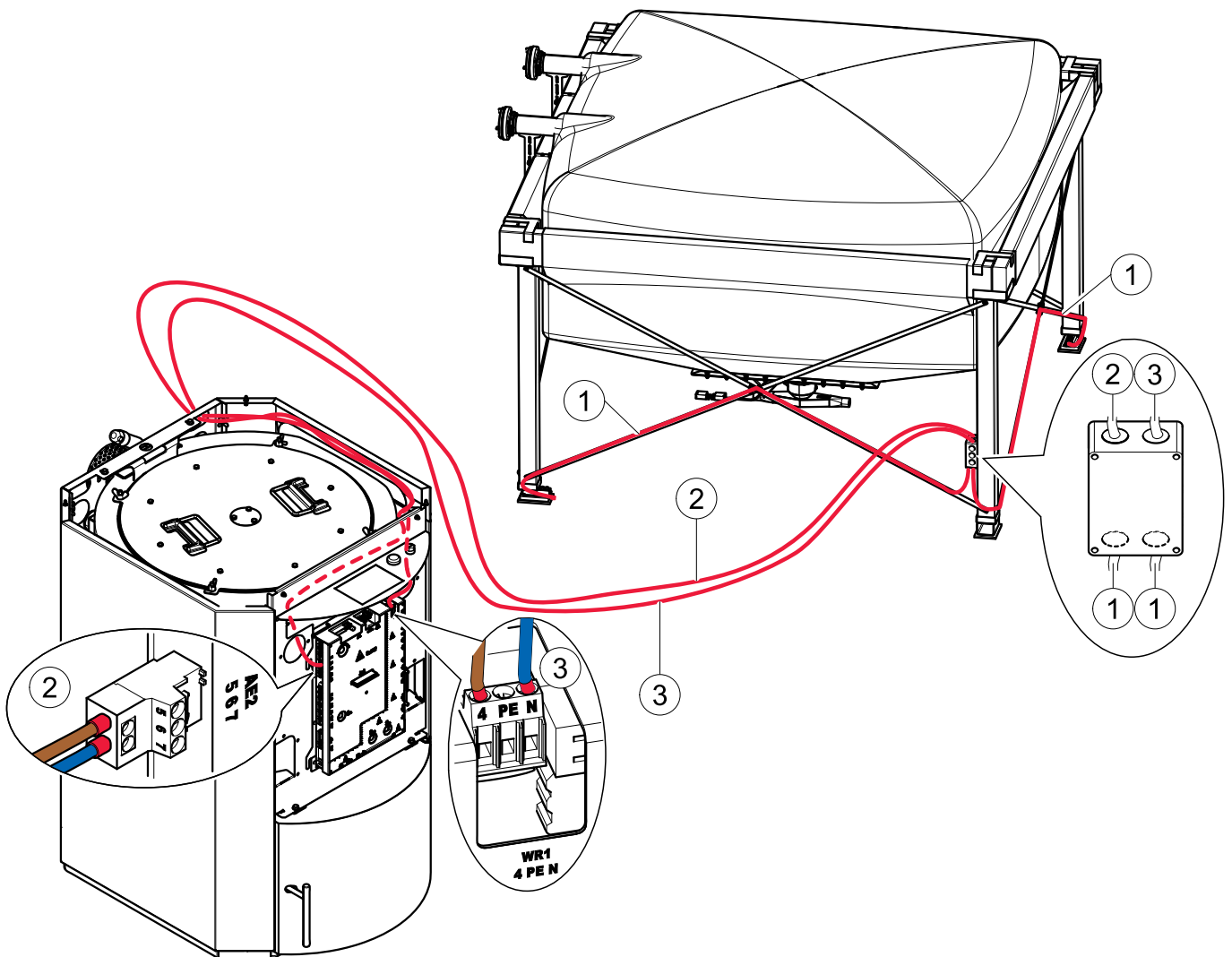
The electrical connection may only be carried out by an authorised electrician.

Disconnect the power supply from the complete heating system before working on the pellet boiler.

5.1 Electrical connection of the weighing system

• **Electrical connection of CMP 0.6**

Cable routing, connection of the distribution box to the weighing circuit board (measuring transducer), connection to the boiler controller **CMP 0.6** and power supply.



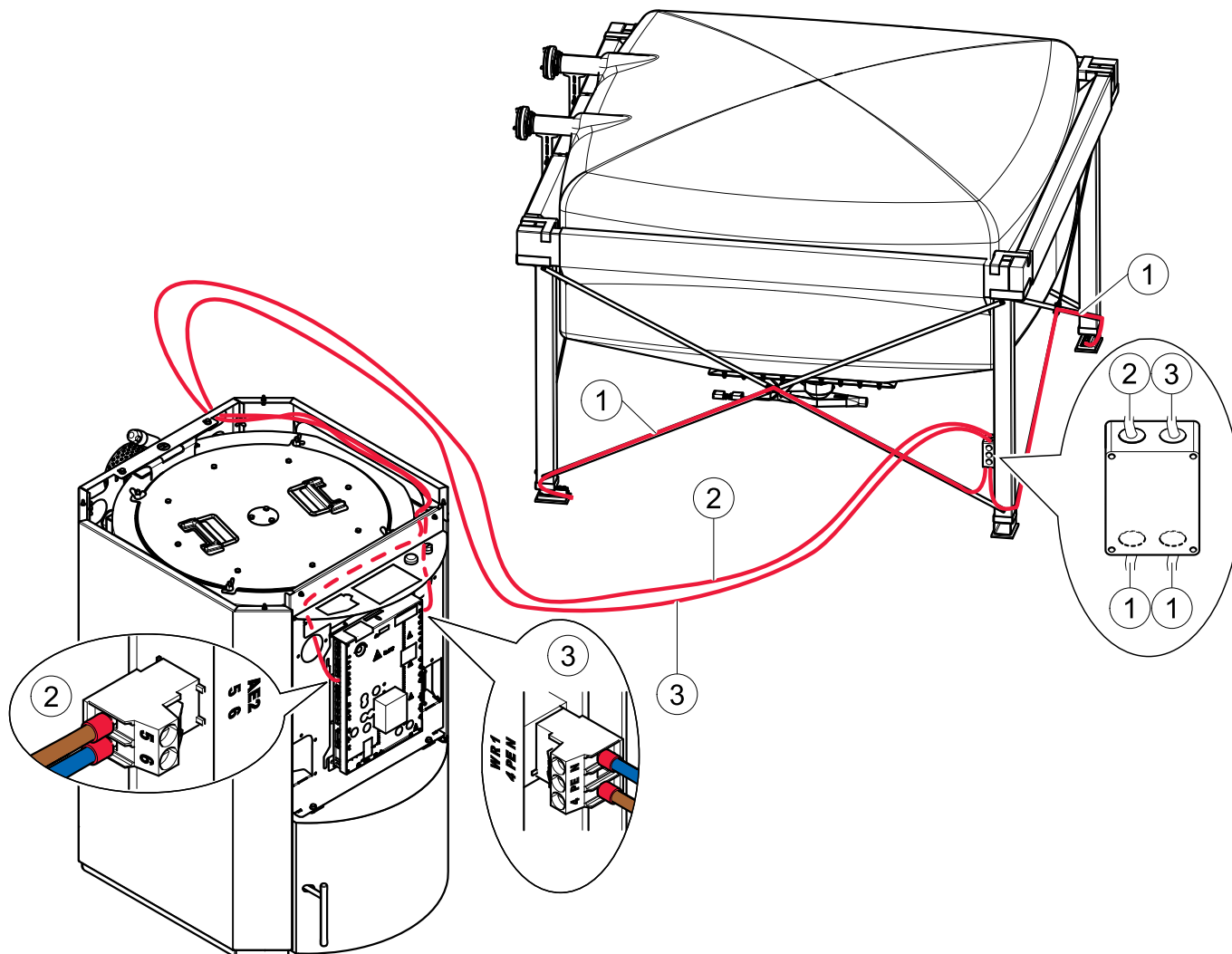
Note:

The wires from the load cell to the distribution may not be extended!

Ensure correct polarity for the signal cables when connecting. The polarity of the connection signal is described on the next page.

• **Electrical connection of CMP 1.4**

Cable routing, connection of the distribution box to the weighing circuit board (measuring transducer), connection to the boiler controller **CMP 1.4** and power supply.



Note:

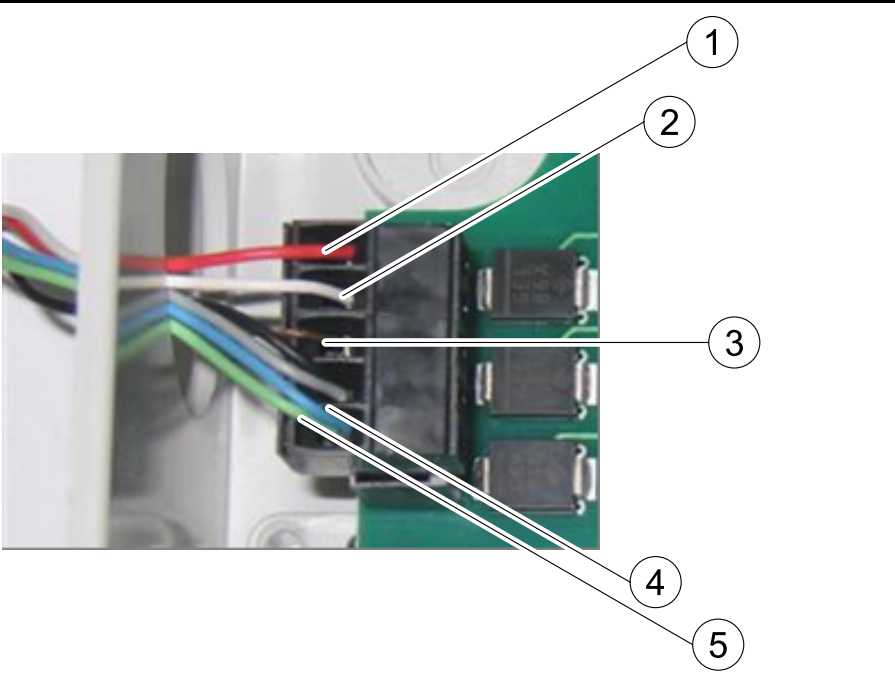
The wires from the load cell to the distribution may not be extended!

Ensure correct polarity for the signal cables when connecting. The polarity of the connection signal is described on the next page.

1	Measuring signal from the weighing cells (2x)	
2	Measuring signal to the CMP (1x – X3)	
3	Power supply (1x – X1)	

1. Connection of the weighing cell measuring signal

1	red (signal -)
2	white (signal +)
3	GND
4	grey and black (GND)
5	blue and green (0–10 Volt)



2. Connection of the measuring signal to the CMP

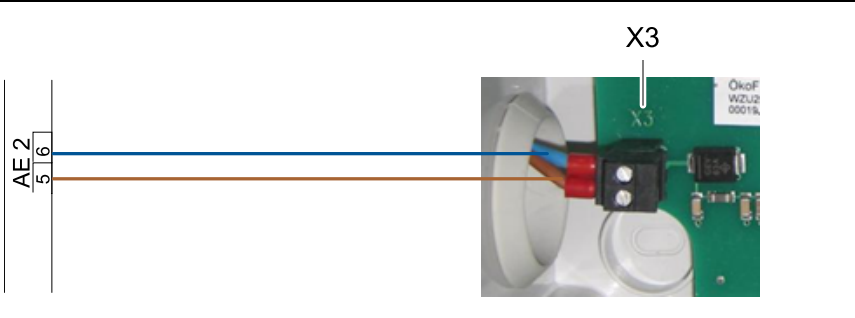
Note:

The polarity of the measuring signal connection must correspond to the following diagram:

The terminal of the circuit board furthest from the marking X3 is always **terminal 5** on the plug of the CMP (0–10 Volt).

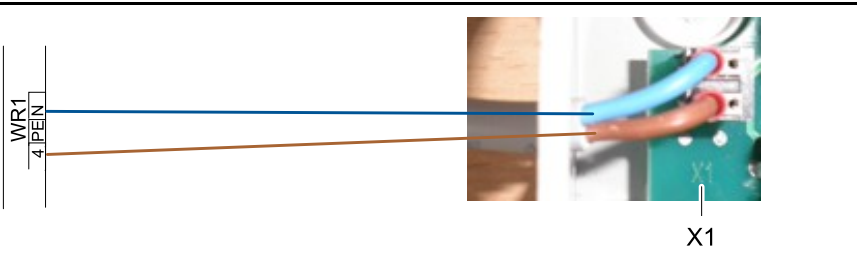
The terminal closest to the marking X3 is always **terminal 6** on the plug of the CMP (GND).

Incorrect pin assignment:
The offset value is always displayed rather than the current weight.



3. Connection of the power supply

ÖkoFEN recommends that the power supply is always connected to the weighing system via the CMP. This ensures that the whole installation is switched off when the pellet system is switched off.



5.2 Settings on the CMP boiler controller for the weighing system

Parameter	Display/default value	Description
P 233	0	Activation of the level detection system 1 = Level detection system for storage tank
P 132	Current weight	Display of the current weight in the storage tank.
P 134	low. weight lim	The threshold value, the minimum weight for a warning message, can be varied. The warning message appears on the operating device and disappears when the filling weight is above the set minimum weight.
P 234	weight correct.	Set the display of the current weight to 0 by putting in the negative of the current weight shown in P 132. Therefore you have to turn the thumbweel left.

Manufacturer:

ÖkoFEN Forschungs- und EntwicklungsgesmbH

Gewerbepark 1
A-4133 Niederkappel
AUSTRIA
Tel.: 0043(0)7286/7450
Fax: 0043(0)7286/7450/10
oekofen@pelletsheizung.at
www.oekofen.com

United Kingdom:

Organic Energy Ltd

Severn Road
Welshpool
Powys
Wales SY21 7AZ
Tel.: 0044 (0) 845 458 4076
or: 0044 (0) 1938 530 070
Fax: 0044 (0) 1938 559 222
info@organicenergy.co.uk
www.organicenergy.co.uk